

WiMax 14-PIN DIP OCXO



Model: FTS310 Series

Preliminary

Rev. 2/26/2007

Page 1 of 1

http://www.foxonline.com/need_a_sample.htm



FEATURES

- 802.16-2004
- WiMax Base Station Applications
(Meets 8PPM for 10 years)
- 3.3V Operation
- HCMOS Output

• PART NUMBER SELECTION [Learn More](#) - Internet Required

Part Number	Model Number	Frequency Stability	Operating Temperature (°C)	Frequency Range (MHz)
806A-Frequency-xxxxx	FTS310AH	±4.6 PPM	-40 ~ +65	2.430 ~ 60.000
806B-Frequency-xxxxx	FTS310BH	±4.6 PPM	-40 ~ +85	2.430 ~ 60.000

• ELECTRICAL CHARACTERISTICS

PARAMETERS	MAX (unless otherwise noted)
Frequency Range(Fo)	2.430 ~ 60.000 MHz
Temperature Range	
Operating (TOPR)	(see above table)
Storage (TSTG)	-40°C ~ +85°C
Supply Voltage (VDD)	3.3V ±0.16V
Output Type	HCMOS
Output Voltage (VOL)	0.33V
(VOH)	2.97V Min
Pullability (Referenced to Fo)	±4.0 PPM Min
Control Voltage	0.0V ~ 3.3V
Frequency Stability	
All effects for 10 years Vs. Temp, (ref @ 25° C)	±4.6 PPM
Vs. VDD Change	±250 PPB
Holdover Aging (24 hours)	±100 PPB Typ
Holdover Stability	±20 PPB
Load Stability	±370 PPB
Long Term Aging (1 st year)	±10 PPB
Aging (10 years)	±0.75 PPM
Aging (10 years)	±4.2 PPM
Warm-up to within ±4.6 PPM	2 Minutes
Warm-up Power	< 1.5 Watts
Operating Power	1.0W ~ 0°C, 0.6W @ +25°C
Phase Noise (Typical @ 10MHz)	-125 dBc/Hz @ 100 Hz
	-145 dBc/Hz @ 10 kHz
Output Load (CL)	15 pF

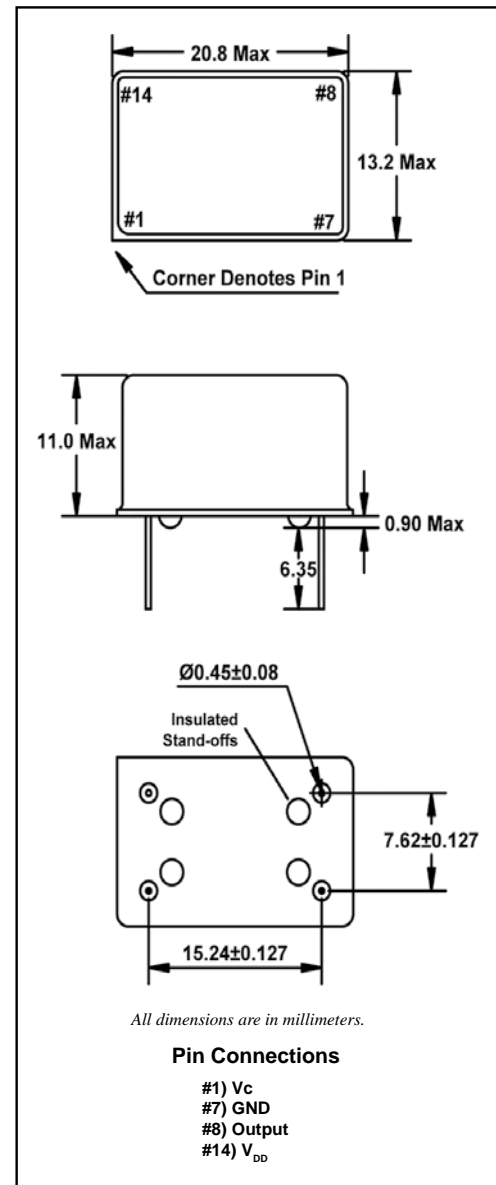
RoHS Compliance Status: Not Compliant

All specifications subject to change without notice.

Contact Fox Custom Products Center (CPC) for details at 877-369-8041 or email at <http://www.foxonline.com/email.htm>

• DEVELOPED FREQUENCIES

20.000MHz	30.720 MHz	32.000 MHz	40.000 MHz
-----------	------------	------------	------------



Pin Connections

- #1) Vc
- #7) GND
- #8) Output
- #14) V_{DD}